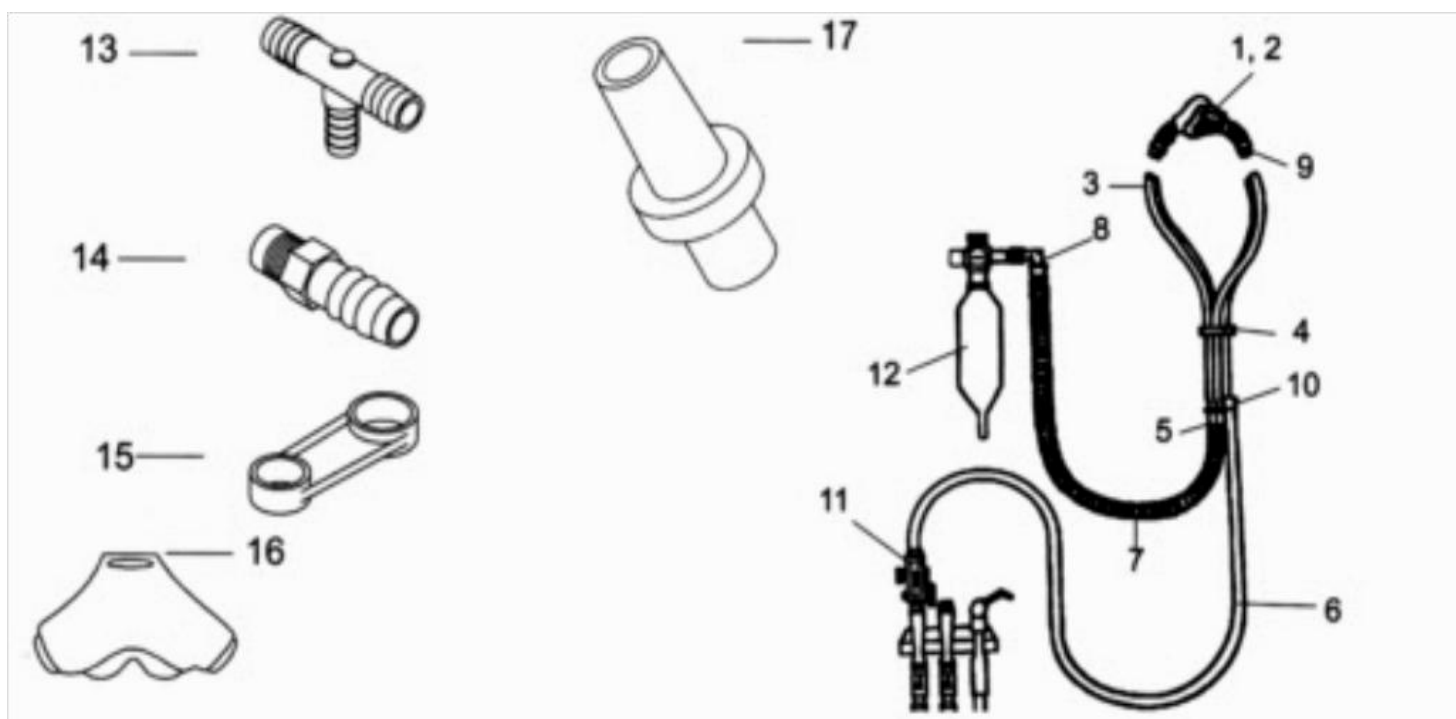


## PORTER SCAVENGER SYSTEM PARTS



1.	<b>Porter Adult Hood Complete with 3 Liners</b>
1a.	<b>Adult Inner Hood Liners Package of 3</b>
1b.	<b>Porter Adult Hood with 1 Liner</b>
2.	<b>Porter Pedo Hood Complete with 3 Liners</b>
2a.	<b>Pedo Inner Hood Liners Package of 3</b>
2b.	<b>Porter Pedo Hood with 1 Liner</b>
3.	<b>Coaxial Inhaler Tubing 30"</b>
4.	<b>Tension Slide Adjuster</b>
5.	<b>Fresh Gas Y Connector</b>
6.	<b>Vacuum Hose (8 feet) / Vacuum Hose by the foot</b>
7.	<b>Fresh gas Corrugated Tubing (3 feet) / Fresh gas Corrugated Tubing (6 feet)</b>
8.	<b>22mm Right Angle Adapter / 24mm Right Angle Adapter</b>
9.	<b>Mask to Tubing Plastic Connectors (set of 2)</b>
10.	<b>Vacuum Line Y Connector</b>
11.	<b>In-Line Vacuum Kit (can be utilized as pictured above)</b>
12.	<b>3 Liter Bag Non-Latex</b>
13.	<b>T Adapter for In-Line Vacuum Block 1/2" / T Adapter for In-Line Vacuum Block 5/8"</b>
14.	<b>Straight Adapter for In-Line Vacuum Block</b>
15.	<b>Vacuum Tuber Holder</b>
16.	<b>Porter Liner Valve Only (package of 3)</b>
17.	<b>HVE Adapter</b>