

Matrix Scavenger Parts

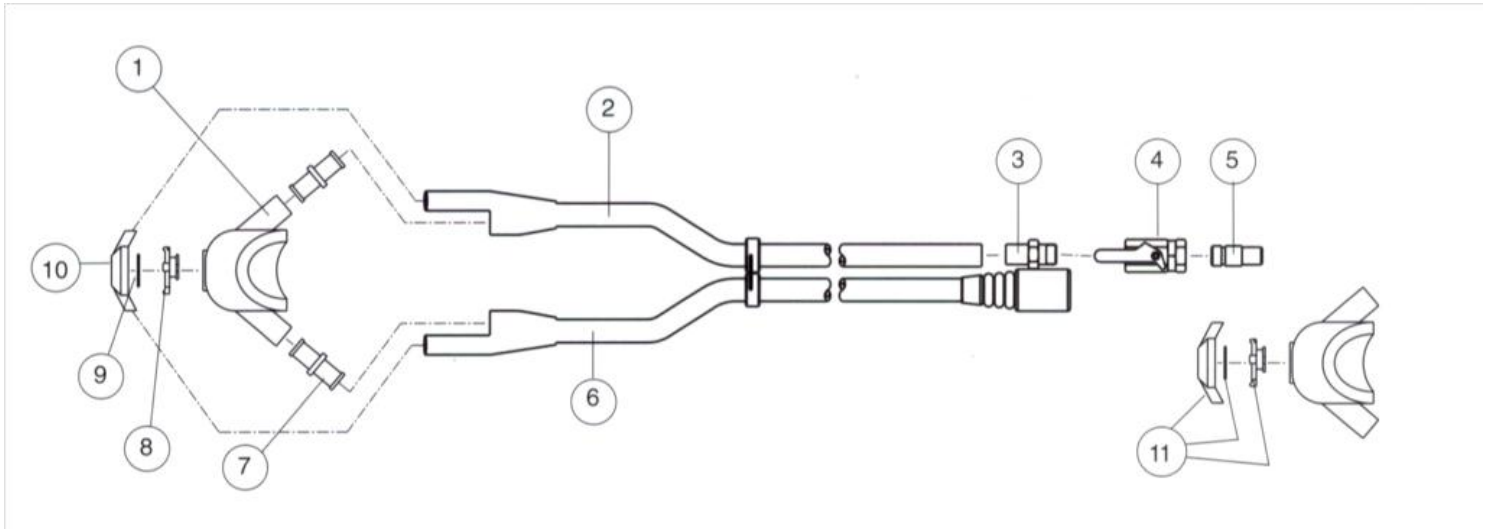


Diagram #	Description
1	Small Nasal Hood
1	Medium Nasal Hood
1	Large Nasal Hood
2	Replacement Vacuum Tubing
3	Replacement Vacuum Nipple (small orifice)
4	Replacement Shut-off Valve
5	Replacement Vacuum Adapter
6	Replacement Gas Tubing w/slide
7	Replacement Hood/Hose Connector (2/pk)
8	Replacement Cage Valve
9	Replacement Non-Breathing Valve (5 pk)
10	Replacement Matrix Scavenger Cone
11	Replacement Matrix Scavenger Cone Assembly